

Intercept® Blackline Simulation Model

**For More Information,
Contact Chris Wale**

GED Integrated Solutions

Forum House,
Business Centre
Stirling Road
Chichester
West Sussex
PO19 7DN, UK

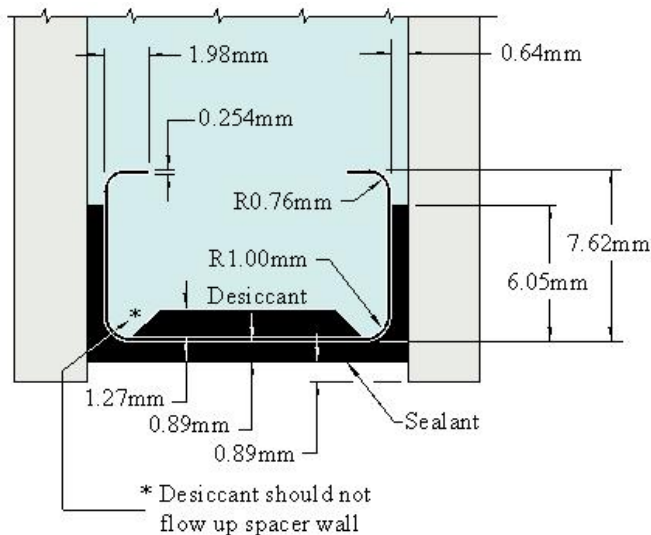
Fax: +44 (0) 1243 786930
Mobile: +44 (0) 781-577-6089

Email: cwale@geduk.com
Web: www.geduk.com

For THERM

- ✓ Spacer wall thickness: 0.25mm
- ✓ Thermal conductivity: *Blackline* material = 50 W/mK
Desiccant = 0.29 W/mK
Sealant = 0.24 W/mK
- ✓ Spacer should be below sight line
- ✓ All dimensions in millimeters

Accurate Geometry



Inaccurate Geometry

