

Intercept® ULTRA Intercept Thinplate Simulation Model

**For More Information,
Please Contact Your
GED Sales Manager**

GED Integrated Solutions
9280 Dutton Drive
Twinsburg, OH 44087-1967

Phone: 330-963-5401
Fax: 330-425-8741
www.gedusa.com

For THERM

✓ ULTRA and Thinplate spacer wall thickness = 0.0077"

✓ Thermal conductivity

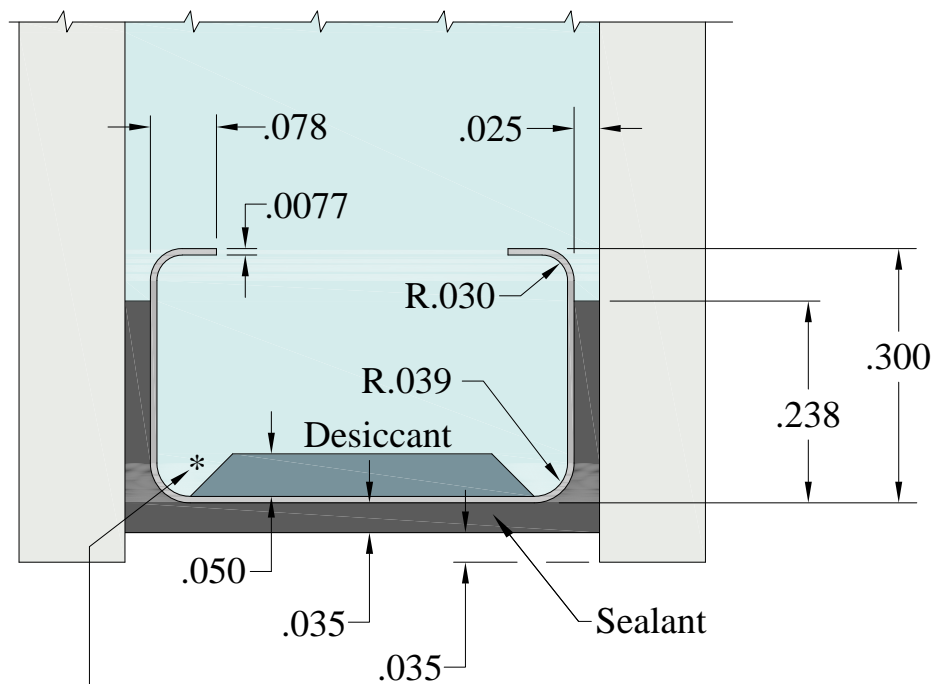
ULTRA or ULTRA **Blackline** = 13.63 W/m·K

Thinplate or Thinplate **Blackline** = 50 W/m·K

Desiccant = 0.29 W/m·K

Sealant = 0.24 W/m·K

✓ Spacer should be below sash line



* Desiccant should not
flow up spacer wall