

# Intercept® Tinplate Simulation Model

**For More Information,  
Contact Chris Wale**

**GED Integrated Solutions**

Forum House,  
Business Centre  
Stirling Road  
Chichester  
West Sussex  
PO19 7DN, UK

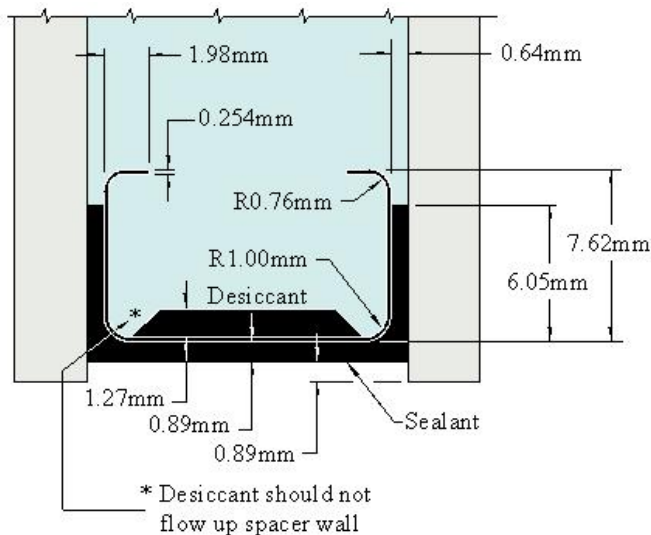
Fax: +44 (0) 1243 786930  
Mobile: +44 (0) 781-577-6089

Email: [cwale@geduk.com](mailto:cwale@geduk.com)  
Web: [www.geduk.com](http://www.geduk.com)

**For THERM**

- ✓ Spacer wall thickness: 0.25mm
- ✓ Thermal conductivity: Tinplate material = 62 W/mK  
Desiccant = 0.29 W/mK  
Sealant = 0.24 W/mK
- ✓ Spacer should be below sight line
- ✓ All dimensions in millimeters

***Accurate* Geometry**



***Inaccurate* Geometry**

